

1

2

3

4

5

6

7

8

RevNo	Revision note	Date	Signature	Checked
-------	---------------	------	-----------	---------

A

B

C

D

E

F

A

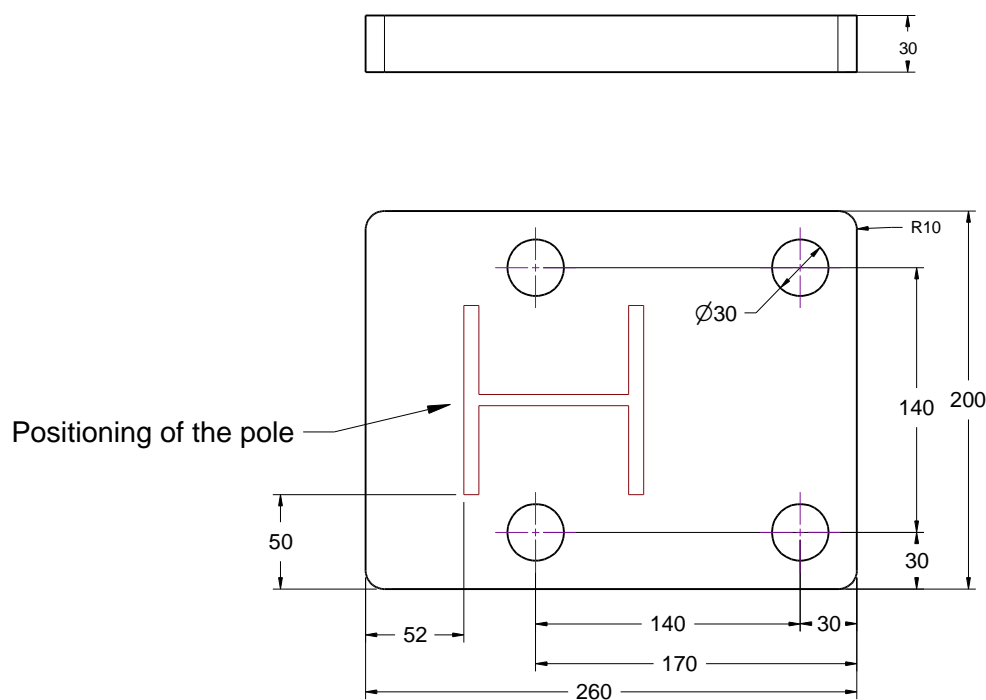
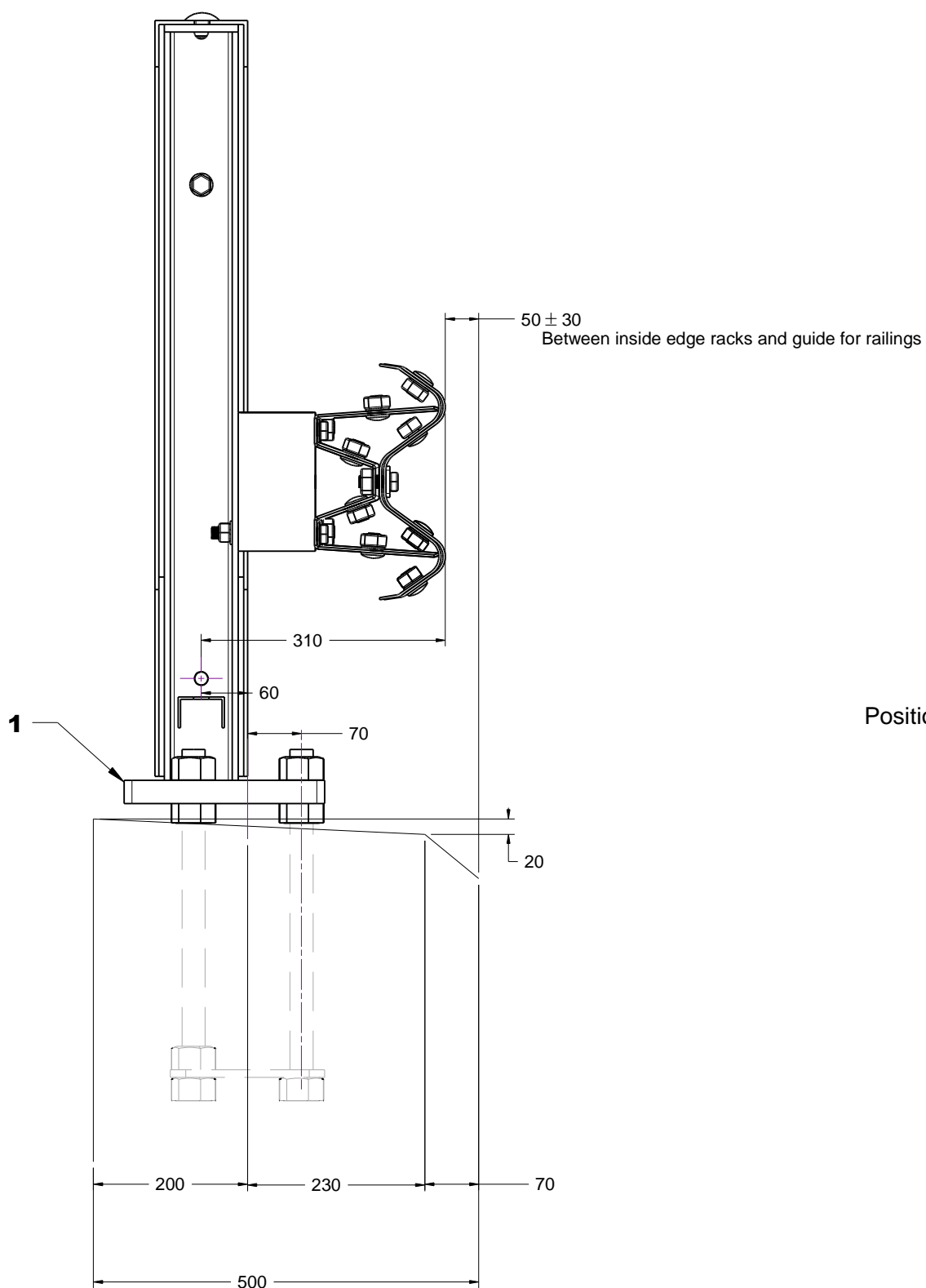
B

C


D

E

F



1: Base Plate alternative dimensions

Itemref	Quantity	Title/Name, designation, material, dimension etc			Article No./Reference
Drawn by	Checked by	Approved by - date	File name	Date February 2, 2016	Scale
		System: CC4-BT2			Road barrier bridge set - 1000mm Height
		Foundation detail w/ alternative foot plate			Drw. no.: SVV2-GS1601312
Manufacturer/Producer: CC4-JSQQ-LS-CZ				Sheet	3

1

2

3

6

7

8