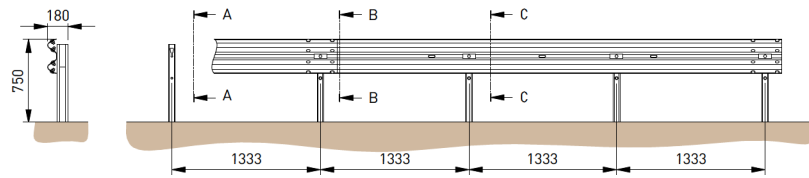
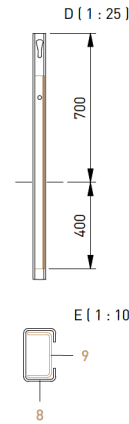
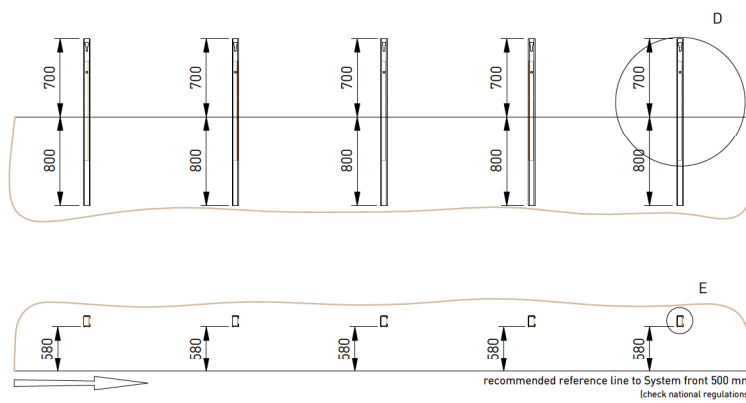


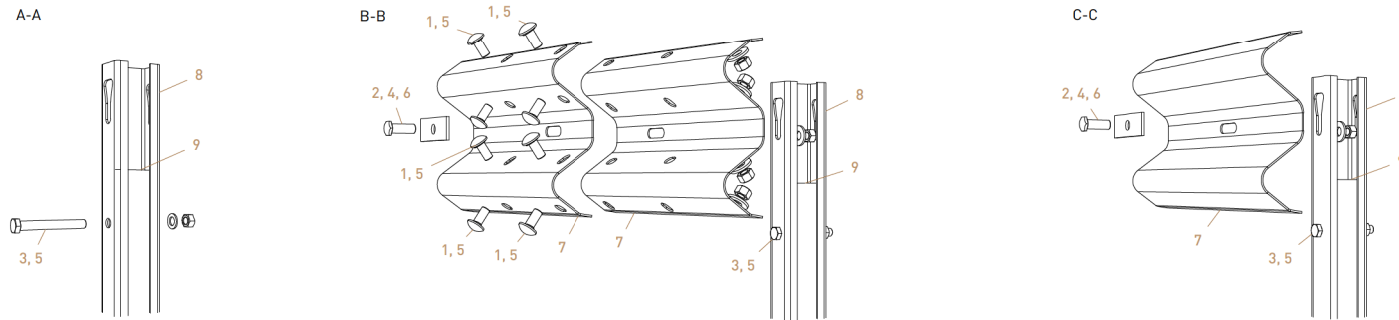
SYSTEM OVERVIEW



POST PLAN



SECTIONAL DRAWINGS



PART LIST

NO.	PCS/M	ART. NO	DESCRIPTION	SAP	NO.	PCS/M	ART. NO	DESCRIPTION	SAP
1	2.00	FS.P016.0035.58-E00	Panhead bolt with oval, M16 x 35, 5.8 Nut M16, class 5	174411	16				
2	0.75	FS.P016.0045.88-H00	Panhead bolt with hexagon M16 x 45, 8.8 Nut M16, class 8	134750	17				
3	0.75	FS.H016.0130.88-000	Hexagon bolt, M16 x 130, 8.8 Nut M16, class 8	146007	18				
4	0.75	FP.R016.0115.50-000	Plate M16, 115 x 40 x 5	154777	19				
5	2.75	FW.A016.0030.30-A00	Washer M16, 30 x 17.5 x 3, HV100	72152	20				
6	0.75	FW.Z016.0040.40-D00	Washer M16, 40 x 18 x 4, HV200	134760	21				
7	0.25	LE.N000.4000.30-001	Beam profile ALIN, 4000 mm UHD	181198	22				
8	0.75	PD.C100.1500.40-002	Post C100 x 60 x 4, 1500 mm UHD140	181199	23				
9	0.75	PS.U085.0900.40-002	Post U85 x 45 x 4, 900 mm UHD140	181200	24				
10					25				
11					26				
12					27				
13					28				
14					29				
15					30				

<p>SAFETY NOTE!</p> <p>Always use personal safety equipment for installation works. Check all tools and equipment before use!</p>	<p>H2</p> <p>W3</p> <p>A</p> <p>VI6</p>	<p>STANDARD</p> <p>EN 1317-1</p> <p>EN 1317-2</p> <p>EN 1317-5</p>	<p>ARRANGEMENT</p>
	<p>drawn</p> <p>checked</p> <p>approved</p>	<p>Date</p> <p>04.08.2020</p> <p>04.08.2020</p> <p>04.08.2020</p>	<p>Name</p> <p>LES</p> <p>CRV</p> <p>LES</p>
	<p>STEELBLOC®</p> <p>SAFETY GUARDRAILS</p>		
	<p>Changes</p> <p>Revision</p> <p>Name</p>		

ID	ART. NO.	PROJECT
PR0720s.3231.13N-001		
TITLE	<p>PRODIGY 7.20s</p> <p>H2 W3 A133</p>	
DRAWING NO.	<p>K_PR0720s.3231.13N-001</p>	
SHEET	<p>1 / 1</p>	
SCALE	1 : 48	EN
REF.	202000804	